

RIGIDFOAM INDUSTRIES (M) SDN BHD

RIGIDFOAM has been proudly providing high quality products and services to our clients. What differentiates us from other businesses is our ability to truly connect with our customers, and provide the exceptional, compassionate service they deserve. To learn more, simply browse through our site.

Hydraulic Products & Spare Parts

Extensive range of quality hydraulic products and spare parts from industry-leading brands.



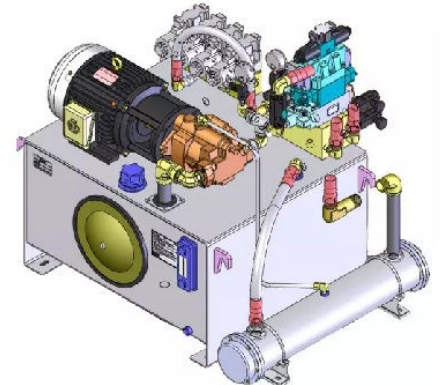
Onsite Field Service & In-House Repairs

With our on field technicians supported by state-of-the-art workshop facilities, we can tackle any hydraulic repair or service requirement.



Hydraulic System Design & Assembly

Our expert hydraulic system engineering and design team combines with our extensive experience to provide cost-effective fluid power solutions.


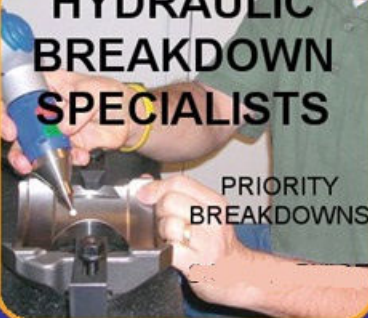





Onsite Support



RIGIDFOAM INDUSTRIES (M) SDN BHD

We offer a comprehensive hydraulic component and system design, build, installation and ongoing maintenance service. This includes the modification, recondition, and overhaul of all makes and models of hydraulic pumps, motors, valves, cylinders, accumulator, hydraulic hoses and fittings adaptor

POWERUNITS Custom built to customer requirements 	HYDRAULIC BREAKDOWN SPECIALISTS PRIORITY BREAKDOWNS 	VALVES Complete range to suit all manufacturers 	HYDRAULIC PRESS EXPERTS 
CYLINDERS NEW & REPAIRS 	PUMPS / HYDRAULIC MOTORS We can supply all makes and all specifications 	ACCUMULATORS 	FILTRATION Filters, Housings, Elements 



Rigidfoam Industries (M) Sdn Bhd

Lot 2686 & 2697, Jalan Industri 7,
Kampung Baru Sungai Buloh, P.O. Box 69,
40160 Shah Alam,
Selangor Darul Ehsan,
Malaysia.

HP: 6012-900 7715
Telephone: +(603) 6156 3033
Fax: +(603) 6156 0771
Email: rimhydraulic@gmail.com
www.rigidfoam.com.my

